



M6L Thermal Riflescope

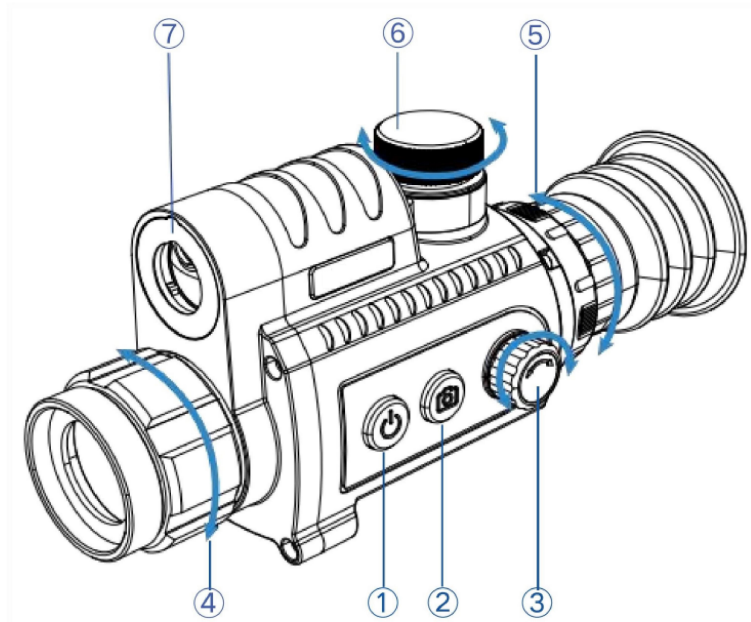


Features:

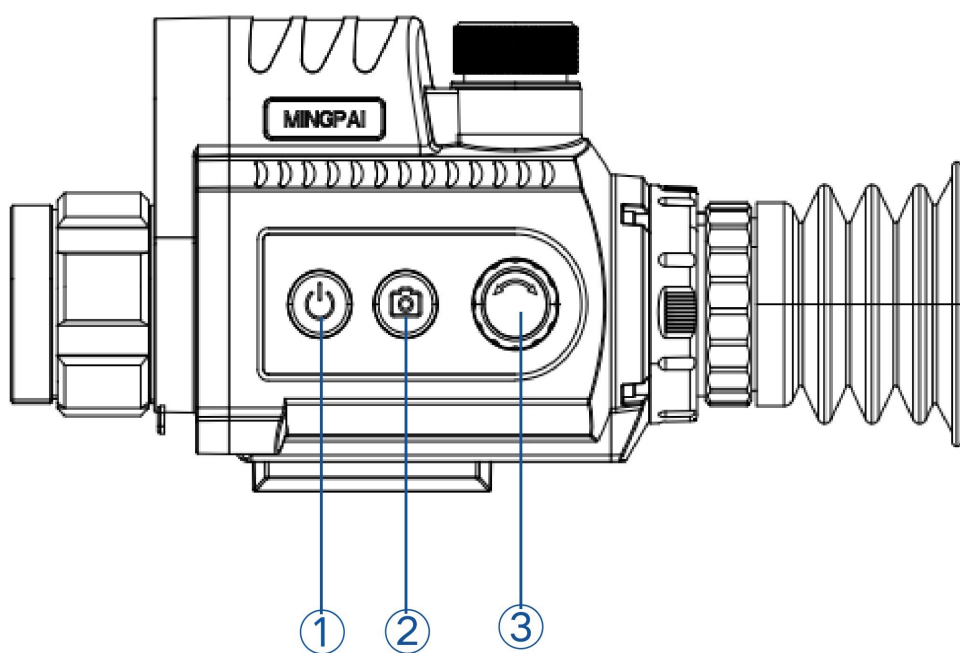
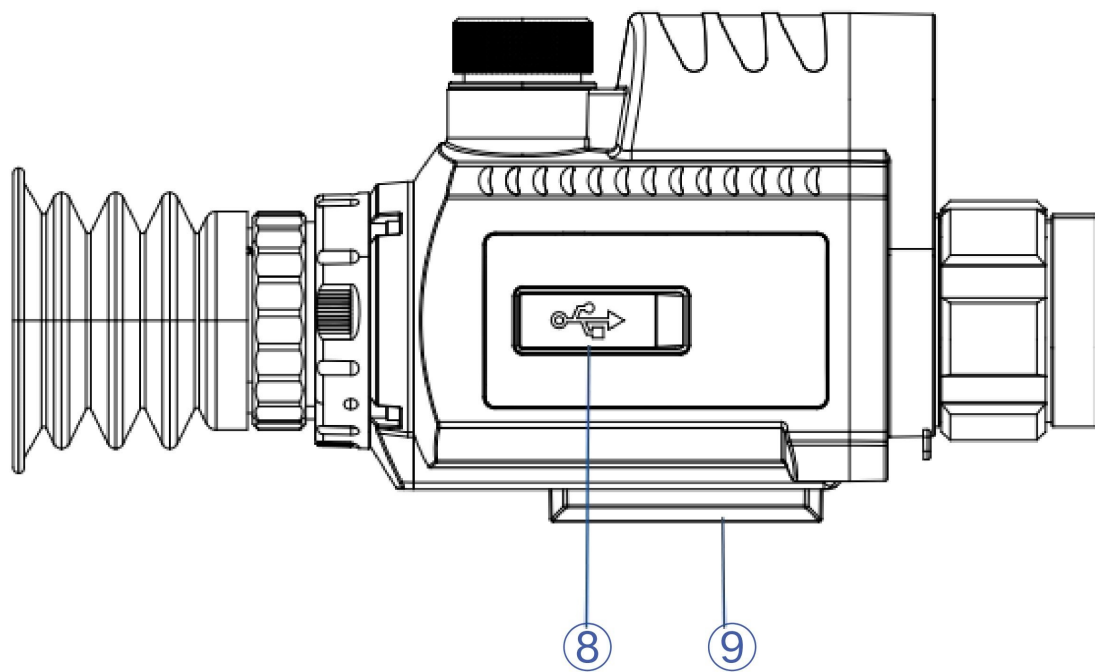
1. 640X512 IR resolution
2. 35mm and 50mm lens
3. 6 patterns of reticle
4. WIFI, video and picture
5. 1KM laser range finder
6. CVBS video out
7. 8X zoom
8. Ballistic calculation

Specification:

| Model | | M6L | |
|-----------------------|---------------------|--|------------|
| lens | Lens size | 35mm | |
| | FOV ° | 12.6*10.1 | |
| | Detection | Human target | 3960m |
| | Recognition | | 1125m |
| | Identification | | 612m |
| Sensor | Spectrum range | 8-14 μm | |
| | Sensor | uncooled | |
| | NETD | < 35 mk (@25° C, F# = 1.0) | |
| | Resolution | 640*512 | |
| | Frame | 50 fps | |
| | Pitch | 12 μm | |
| Display | Resolution | 1024*768 | |
| | Display | OLED 0.39 | |
| | Brightness/Contrast | Adjustable | |
| | DDE | Adjustable | |
| | Zoom | ×1, ×2, ×4, ×8 | |
| | Thermal color | Black hot, white hot, red hot, iron hot, green hot | |
| | Pixel compensation | Support | |
| | CAL/ Shutter | Manual/ Auto | |
| | Scenery | Bird watch, City, Forest, Rain forest | |
| | CVBS | Yes | |
| | Frame | 50 Hz | |
| | Starting | ≤10 s | |
| | Save/ Reticle/Menu | Support | |
| | Function | WiFi/Hot pot/APP | Yes |
| Picture/ video | | Yes | |
| Battery | | Not-built in | |
| Hot track | | Yes | |
| Auto-shut off | | Yes | |
| Protection | | IP67 | |
| Laser range finder | | 10m-1200m | |
| Storage | | 32G | |
| PIP | | Yes | |
| Endurance | | 7H | |
| Battery Charging Time | | 2 hours | |
| Battery capacity | | 3000mAh | |
| Physical | | Size | 215*75(mm) |
| | Weight | 520g | |
| | Housing | Aluminum Alloy | |
| | Working temperature | -40°C ~ 60°C | |
| | Shock | 1000G (6000J) | |



- ① . Switch
- ② . Picture/Video
- ③ . Rotating button
- ④ . Eyepiece Focus
- ⑤ . Objective Focus
- ⑥ . Battery compartment
- ⑦ . L R F
- ⑧ . Type-c
- ⑨ . Mount interface



Reticle and Range of LRF

